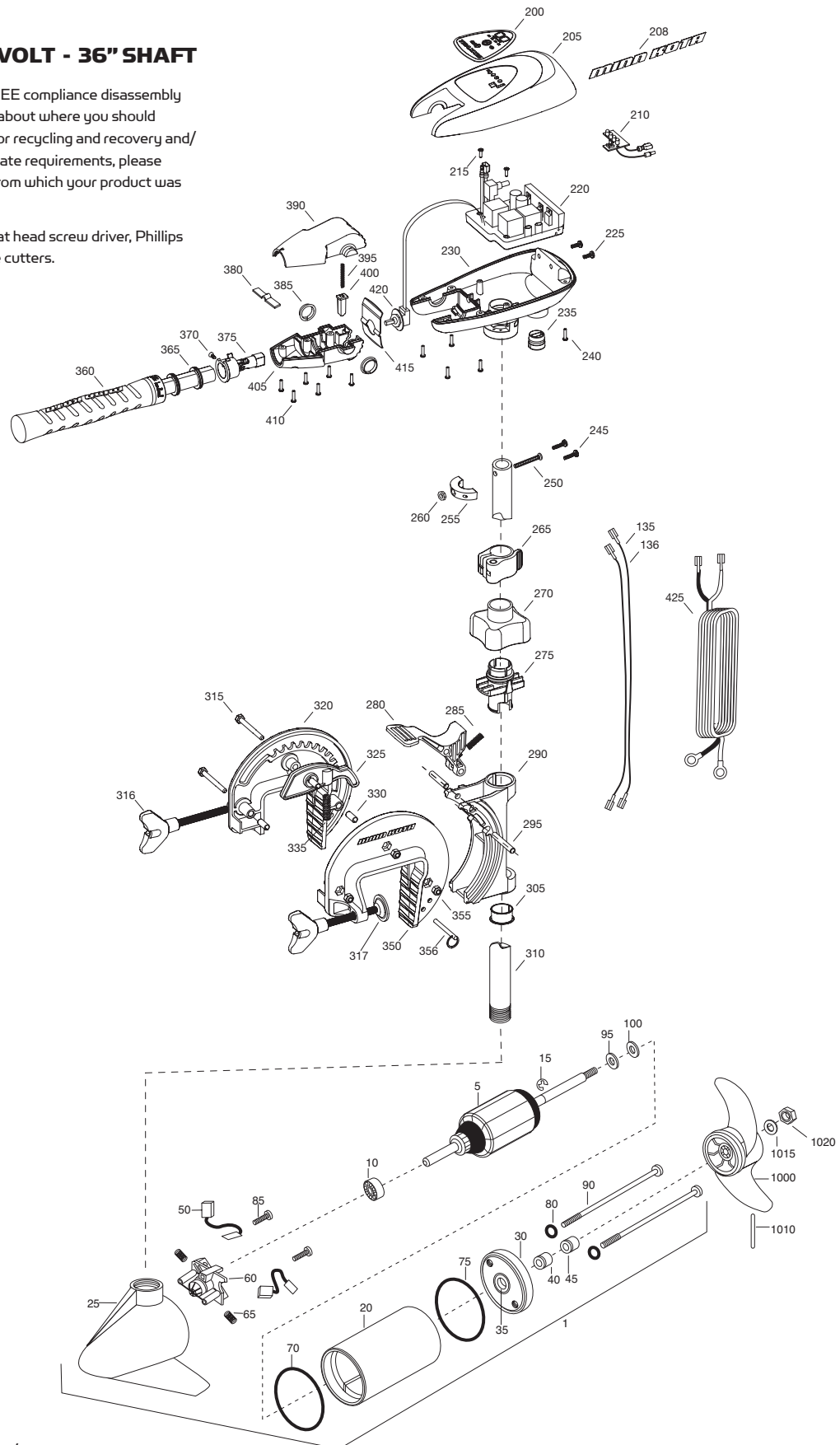


# PARTS DIAGRAM

## TRAXXIS 45 45 LBS THRUST - 12 VOLT - 36" SHAFT

This page provides Minn Kota® WEEE compliance disassembly instructions. For more information about where you should dispose of your waste equipment for recycling and recovery and/or your European Union member state requirements, please contact your dealer or distributor from which your product was purchased.

Tools required, but not limited to: flat head screw driver, Phillips screw driver, socket set, pliers, wire cutters.



# PARTS LIST

## TRAXXIS 45

### 45 LBS THRUST - 12 VOLT - 36" SHAFT

ITEM	QTY	PART NUMBER	DESCRIPTION
1	1	2069288	12V MOTOR 36" FW
5	1	2-100-202	ARMATURE ASSEMBLY
10	1	140-010	BEARING
15	1	788-015	RETAINING RING
20	1	2-200-079	CENTER HOUSING ASSEMBY
25	1	421-132	BRUSH END HOUSING ASSEMBLY
30	1	2-400-128	PLAIN END HOUSING ASSEMBLY
35	1	144-049	FLANGE BEARING
40	1	880-003	SEAL
45	1	880-006	SEAL WITH SHIELD
50	2	188-052	BRUSH
60	1	738-030	BRUSH PLATE ASSEMBLY
65	2	975-032	BRUSH SPRING
70	1	701-041	O-RING, MOTOR, FRONT
75	1	701-039	O-RING, MOTOR, REAR
80	2	701-007	O-RING, THRU-BOLT
85	2	830-001	SCREW, #8-32
90	2	830-078	THRU-BOLT
95	1	990-067	WASHER, STEEL
100	1	990-070	WASHER, NYLATRON
135	1	640-001	LEADWIRE, BLACK
136	1	640-101	LEADWIRE, RED
■		2883460	SEAL AND O-RING KIT
200	1	2065679	DECAL, C-BOX COVER
205	1	2060295	C-BOX COVER
208	2	2325665	DECAL - MINNKOTA
210	1	2074070	BATTERY METER, 12V FW
215	2	2043427	SCREW, #8 X 7/8 SS
220	1	2184016	CONTROL BOARD, 12V
■	1	2888411	POTENTIOMETER REPLACEMENT KIT
225	2	2303434	SCREW, #8-32 X 5/8 SS
230	1	2062536	CONTROL BOX, CAST, FW
235	1	2062905	STRAIN RELIEF
240	6	2303412	SCREW, #6 X 5/8 SS
245	2	2063410	SCREW, #10-32 X 3/4" CAP SS
250	1	2093400	SCREW, #10-24 X 1-7/8" SS
255	1	2061527	COLLAR-CTRL BOX (FW)
260	1	2383124	NYLOCK NUT #10-24
265	1	2991521	CAM LOCK/DEPTH COLLAR ASSY
■	1	2991795	BRACKET ASSY, COMPOSITE [270-356]

ITEM	QTY	PART NUMBER	DESCRIPTION
270	1	2060100	KNOB, STEERING TENSION, SOFT
275	1	2068400	COLLET
280	1	2064200	LOCK ARM
285	1	2062701	SPRING, LOCK ARM
290	1	2061821	HINGE
295	2	2062602	PIN, LOCK, ZINC
305	1	2037301	BUSHING, HINGE
310	1	2032052	TUBE 36"
315	3	2063500	BOLT 1/4-20 X 2 3/8", ZINC
316	2	2061300	SCREW - CLAMP
317	2	2011710	WASHER - CLAMP SCREW
320	1	2771950	BRACKET, RIGHT, FW
325	1	2067905	CAM DEACTIVATOR
330	3	2067306	BUSHING, DOWEL 1/4 X 1/2
335	1	2062702	SPRING, CAM DEACTIVATOR
■	2	2881380	CLAMP SCREW KIT
350	1	2771955	BRACKET, LEFT, FW
355	3	2263104	NUT, 1/4-20, NYLOCK, ZINC
356	1	2062604	PIN, STOP
■	1	2990957	HANDLE ASSY, VARS [360-410]
360	1	2990456	GRIP/HANDLE ASSY, VARS [360-375]
365	2	2060015	BEARING, HANDLE
370	2	2063405	SCREW, #6 X 1/2
375	1	2884092	YOKE / SPIDER ASSY, VARS
380	1	2302742	SPRING, DETENT, OFF
385	2	2060005	BEARING, HANDLE PIVOT
390	1	2060900	HANDLE PIVOT, TOP
395	1	2302745	SPRING, RELEASE BUTTON
400	1	2063700	BUTTON, RELEASE
405	1	2060905	HANDLE PIVOT, BOTTOM
410	6	2303412	SCREW, #6-20 X 5/8 SS
415	1	2062715	SPRING, HANDLE PIVOT
420	1	2061700	WASHER, POT HOLDER
425	1	2992523	LEADWIRE ASSY, INCLUDES [235]
■		1378121	PROPELLER KIT
1000	1	2061122	PROPELLER
1010	1	2092600	DRIVE PIN, LARGE
1015	1	2151726	WASHER, PROP, STANDARD
1020	1	2053101	NUT, NYLOCK, PROP, MEDIUM

■ THIS ITEM IS PART OF AN ASSEMBLY.

\*THIS ITEM IS PART OF A KIT AND ONLY LISTED FOR VIEWING PURPOSES.